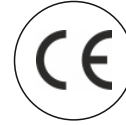


INTELLIGENT ADDRESSABLE MULTI-SENSOR DETECTOR (OPTICAL/HEAT)

MODEL: AS-801-PTD/V1



Approvals:



Technical Specification

Operating Loop Voltage	22-24 Vdc
Standby Current	2.2 mA
Alarm Current	4.2 mA (without remote indicator)
LED Indication	Green. Flashes every 3s normally. RED Steadily Illuminates after alarming.
Remote Indicator Output	Directly connecting with indicator Quiet in normal condition; flashes in alarm.
Programming Method	Programming from ASES PROGRAMMER
Wiring Polarized	2-core for a loop. Polarized 2-core for the remote detector.
Detection principle	Smoke: Photo-electric detection of light scattered by smoke particles Heat: Temperature-Dual NTC Sensor.
Chamber configuration	Horizontal optical bench housing an infrared emitter and sensor
smoke element only	arranged
Sensor	Photo electric diode & Dual NTC thermistor
Response Temperature	58°C
Environment Temperature	-10°C to 60°C
Relative Humidity	5%-95% RH
Material of Enclosure	ABS
Dimensions Diameter	100 mm Diameter x 52 mm Depth
Weight	108 g approx

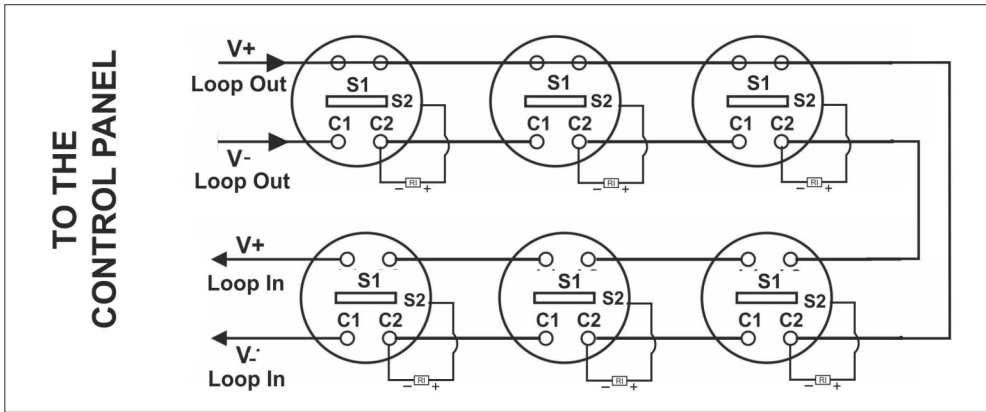
Description:

Intelligent Addressable Multi-Sensor Detector integrates photoelectric detection and fixed temperature detection technology by combining smoke sensor and semi-conductor heat sensor in mechanism and circuitry structure. Just because of the combination of smoke detection and heat detection, it not only overcomes the disadvantage that detectors using common infrared scattering technology are insensitive to black smoke with small particles but also can pick up the fire with obvious temperature such as alcohol flame, thus extending its application range.

Features :

- Address programmable through ASES- RPTU.
- Combined smoke and heat algorithm greatly improves optical sensitivity.
- Removable innovative sensing chamber, easy for maintenance.
- Dual LED design provides 360° viewing.
- Remote indicator output available.
- Fix temperature at 58°C
- Reliable fire detection in areas with a wide Ambient temperature range from -10°C to 60°C

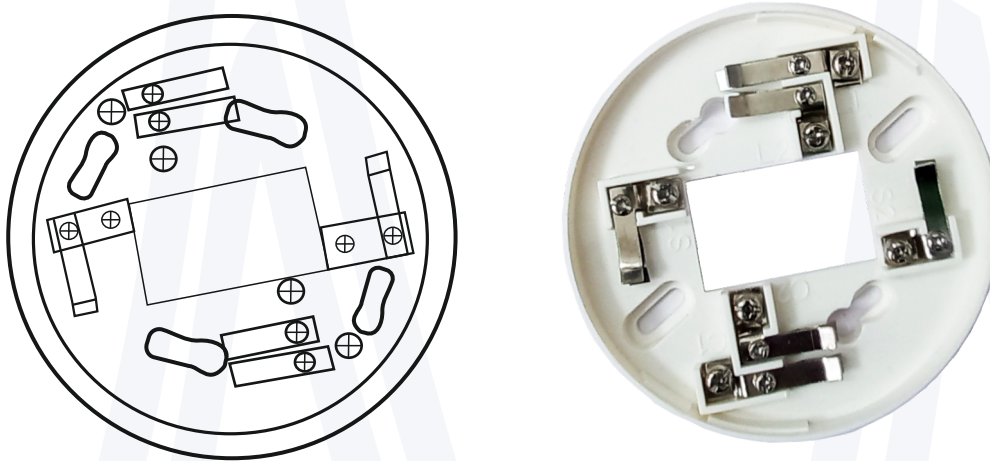
Connection and Cabling:



There are Four terminals with

- C1 (-) : LOOP OUT NEGATIVE
- C2 (-) : LOOP IN NEGATIVE
- S1 (+) : LOOP IN & OUT POSITIVE
- S2(+) & C1(-): REMOTE INDICATOR

Detector base image for wiring:



Mechanical Description:

